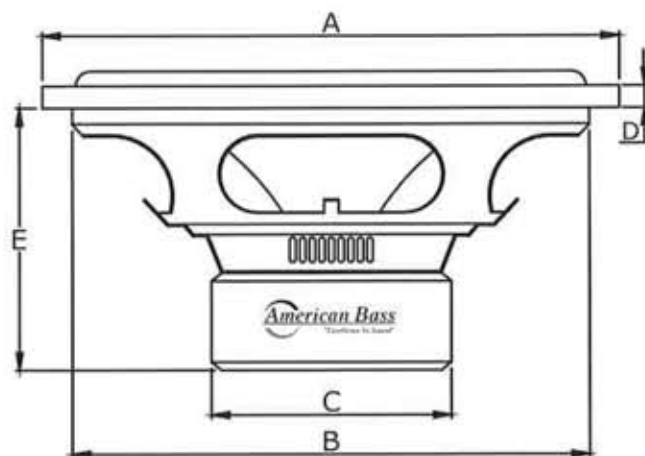


### ***XD SERIES subwoofers***

#### **Features:**

- Black powder finish heavy-duty stamped basket;
- With perimeter vents for better voice coil cooling;
- Non-pressed paper cone;
- Over-sized 1.4" 3-layer foam surround;
- Hi-temp 4-layer voice coil with Nomex protection;
- Mirror image double Conex spider system;
- Double stacked hi-energy magnets;
- Customs-made rubber gasket;
- Customs-made rubber magnet boot;



	<b>A</b>	<b>B</b>	<b>C</b>	<b>D</b>	<b>E</b>
MODEL	mm/inch	mm/inch	mm/inch	mm/inch	mm/inch
XD-1022	275/10.8	235/9.3	162/6.3	18/0.7	148/5.8
XD-1044	275/10.8	235/9.3	162/6.3	18/0.7	148/5.8
XD-1222	325/12.8	285/11.2	162/6.3	18/0.7	158/6.2
XD-1244	325/12.8	285/11.2	162/6.3	18/0.7	158/6.2
XD-1522	395/15.6	355/14	186/7.3	18/0.7	192/7.6
XD-1544	395/15.6	355/14	186/7.3	18/0.7	192/7.6

#### **Technical Data/Specification**

<b>MODEL</b>	<b>XD-1022</b>	<b>XD-1044</b>	<b>XD-1222</b>	<b>XD-1244</b>	<b>XD-1522</b>	<b>XD-1544</b>
Voice Coil Diameter (mm/inch)	61.1/2.5	61.1/2.5	61.1/2.5	61.1/2.5	61.1/2.5	61.1/2.5
Impedance Ohm	Dual2	Dual4	Dual4	Dual4	Dual4	Dual4
FS Hz	35.3	36	34.2	35	30.5	31
Qms	3.53	3.65	3.74	3.86	3.98	4.08
Qes	0.53	0.54	0.54	0.53	0.65	0.67
Qts	0.46	0.47	0.47	0.48	0.56	0.58
Vas	22	21	44	43	84	82
MMs g	130	122	167	159	260	250
Le mH	1.32	2.27	1.22	2.12	1.02	1.83
Magnet oz	125	125	125	125	170	170
Xmax mm/inch	11/0.43	11/0.43	13/0.51	13/0.51	14/0.55	14/0.55
SPL dB/m	86.2	86.8	88.2	88.7	89.1	89.6
BL TESLA-M	10.1	14.6	10.3	15.2	10.98	15.7
Max Power(Watts)	900	900	1000	1000	1400	1400

**Warranty**

All American Bass are guaranteed to be free and of defects due to the manufacturer for 1 year from date of purchase. All claims must be made at the place of purchase, and accompanied with the sales receipt.

**Warning:** American Bass speakers are capable of producing sound levels that can permanently damage your hearing! Turning up a system to a level that has audible distortion is more damaging to your ears than listening to an un-distorted system at the same volume level. The threshold of pain is indicator that the sound level is too loud and may damage your hearing. Please use common sense when controlling volume.

[www.americanbassusa.com](http://www.americanbassusa.com)



**440 248 5858**

[www.americanbassusa.com](http://www.americanbassusa.com)

31200 SOLON ROAD, SUITE 18, SOLON, OHIO 44139  
USA

Congratulation! Thank you for choosing American Bass. We are proud to introduce these exciting new lines of outstanding performance products. Our engineering team utilizes innovative technology to bring you the absolute best performance, sound quality, reliability and value.