



WORLD CHAMPIONS  
WORLD LEADERS IN SPL PRODUCTS

American Bass USA 31200 Solon RD  
Unit 4 Solon Ohio 44139  
800 798 9311  
Tel: 440 248 5858  
Fax: 440 248 6022  
E-mail: [Info@americanbassusa.com](mailto:Info@americanbassusa.com)  
Website: [www.americanbassusa.com](http://www.americanbassusa.com)

*American Bass*  
*"Excellence In Sound"*

**RX-12D2**

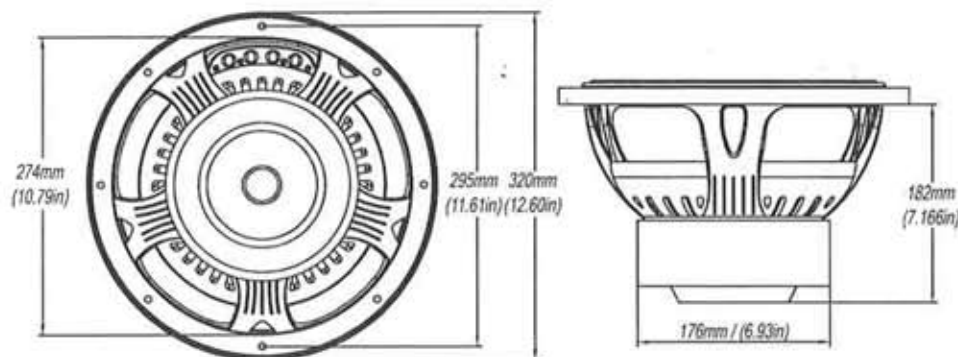
**RX-12D4**

SUBWOOFER SPEAKER SYSTEM  
OWNER'S MANUAL

---

Thank you for purchasing a **AMERICAN BASS** subwoofer. It is a state-of-the-art product specifically designed and engineered for vehicle use, and has been thoroughly tested to ensure consistent and reliable performance.

Should you have any questions regarding the installation or operation of your **AMERICAN BASS** subwoofer, which are not answered in this manual, please contact your dealer for assistance.



### Features:

- 12 " Subwoofer
- RMS / MAX Power : 600W / 1200W
- Stitched Rubber Surround
- Fiberglass Reinforced Cone
- Dual 2ohm & 4 ohm 2.5 " Aluminum Voice Coil
- 140 Oz Magnet Structure
- PVC Gasket Ring
- PVC Magnet Boot

### Precautions

- Before making holes, check the mounting space with supplied template.
- To prevent noise pick-up, keep the wiring away from motors, high-voltage leads and other potential noise sources.
- To prevent a short-circuit, keep all wiring away from moving parts and sharp edges.
- Make sure you carefully read and understand the installation instructions before installing this subwoofer in your vehicle.

SPECIFICATIONS	RX-12D2	RX-12D4
RMS Power (W)	600	600
MAX Power (W)	1200	1200
Fo (Hz):	35	35
Nominal Impedance (Ω)	2+2	4+4
Sensitivity@1w/1m(dB)	89	89
Frequency Range	35Hz~500Hz	35Hz~500Hz
Magnet	140 Oz	140 Oz
Voice Coil	2.5"	2.5"
Cone	Rubber Edge Paper Cone	Rubber Edge Paper Cone
Mounting Depth (inch)	7.165	7.165
Mounting Diameter (inch)	11.614	11.614