

KEY FEATURES

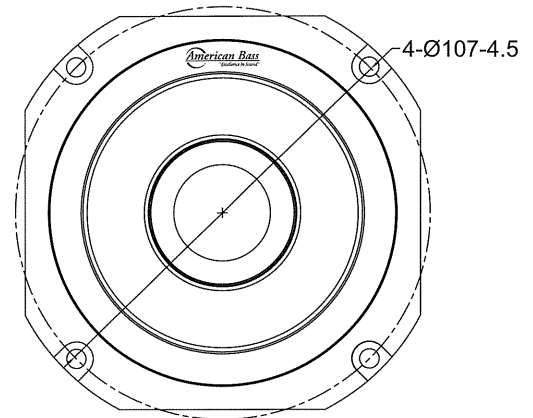
- 250 Watts Program Power
- 1.5" Voice Coil
- 108 dB Sensitivity
- 3500Hz-20000Hz Frequency Range

| | |
|---------------------|----------------------|
| Compression Tweeter | 1.5" |
| Frame Material | Cas Aluminum |
| Power Handling | 250 Watts Max |
| Magnet Size | 21 Oz |
| Voice Coil | 1.5" CCAW, High Temp |
| Impedance | 4 Ohms |
| Sensitivity | 108 dB/m/w |
| Response Range | 3500 Hz To 20000 Hz |

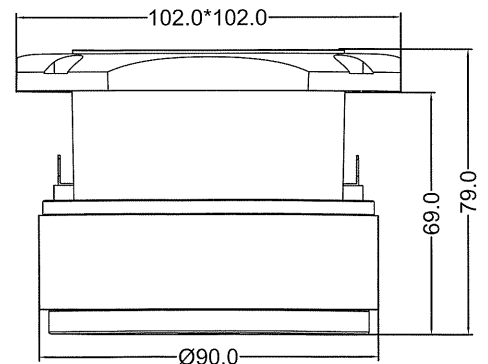
| | |
|----------------------|-------------------------|
| External Diameter | (102x102 mm / 4.0 inch) |
| Bolt Circle Diameter | (107.0 mm / 4.2 inch) |
| Cutout Diameter | (92.0 mm / 3.6 inch) |
| Overall Depth | (79.0 mm / 3.1 inch) |
| Mounting Depth | (69.0 mm / 2.7 inch) |

MX-700-CR

Compression Super Tweeter



SPL vs Freq



GENERAL SPECIFICATIONS

MOUNTING INFO