

KEY FEATURES

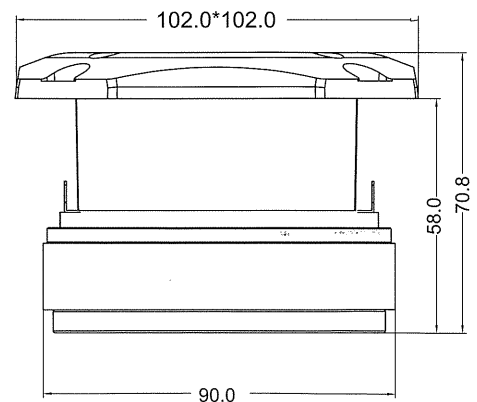
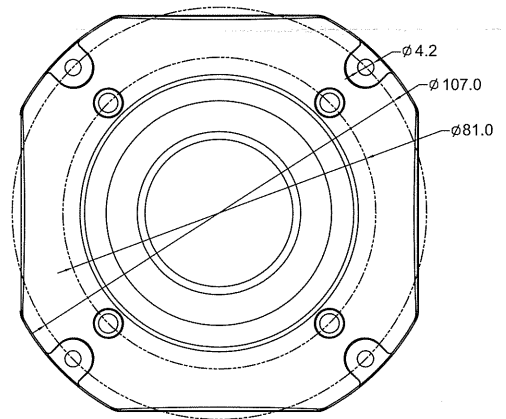
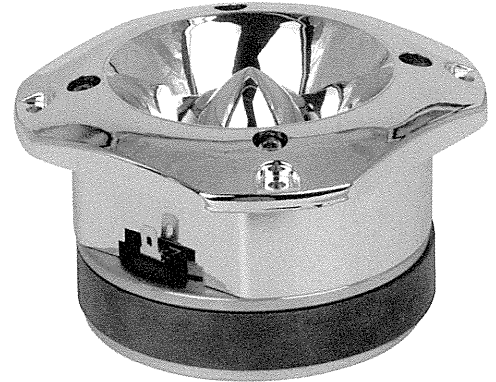
- 200 Watts Program Power
- 1.5" Voice Coil
- 105 dB Sensitivity
- 4000Hz-20000Hz Frequency Range

Compression Tweeter	1.5"
Frame Material	ABS
Power Handling	200 Watts Max
Magnet Size	13 Oz
Voice Coil	1.5" CCAW, High Temp
Impedance	4 Ohms
Sensitivity	105 dB/m/w
Response Range	4000 Hz To 20000 Hz

External Diameter	(102x102 mm / 4.0 inch)
Bolt Circle Diameter	(107.0 mm / 4.2 inch)
Cutout Diameter	(92.0 mm / 3.6 inch)
Overall Depth	(70.8 mm / 2.8 inch)
Mounting Depth	(58.0 mm / 2.3 inch)

MX-443

Compression Super Tweeter



SPL vs Freq



GENERAL SPECIFICATIONS

MOUNTING INFO