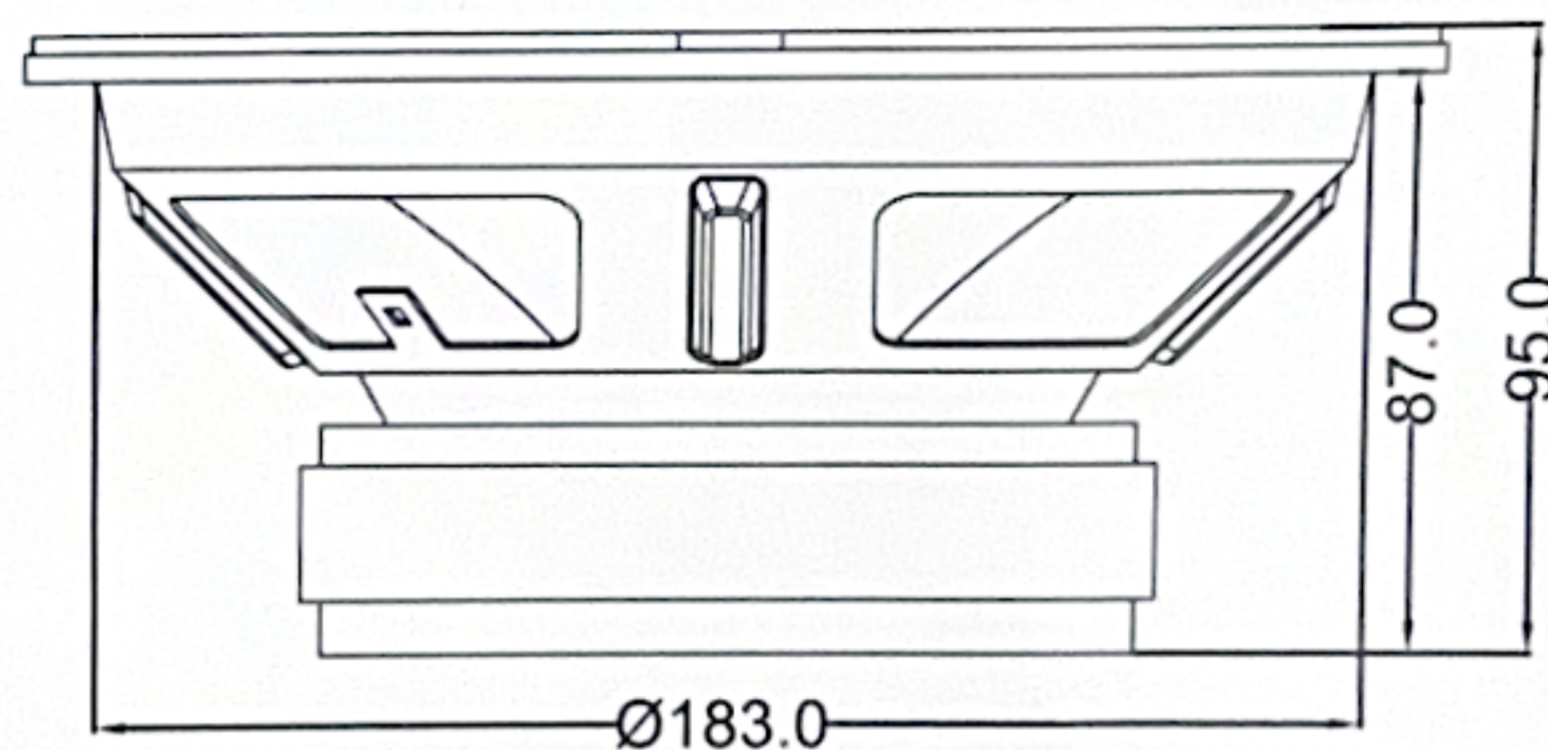
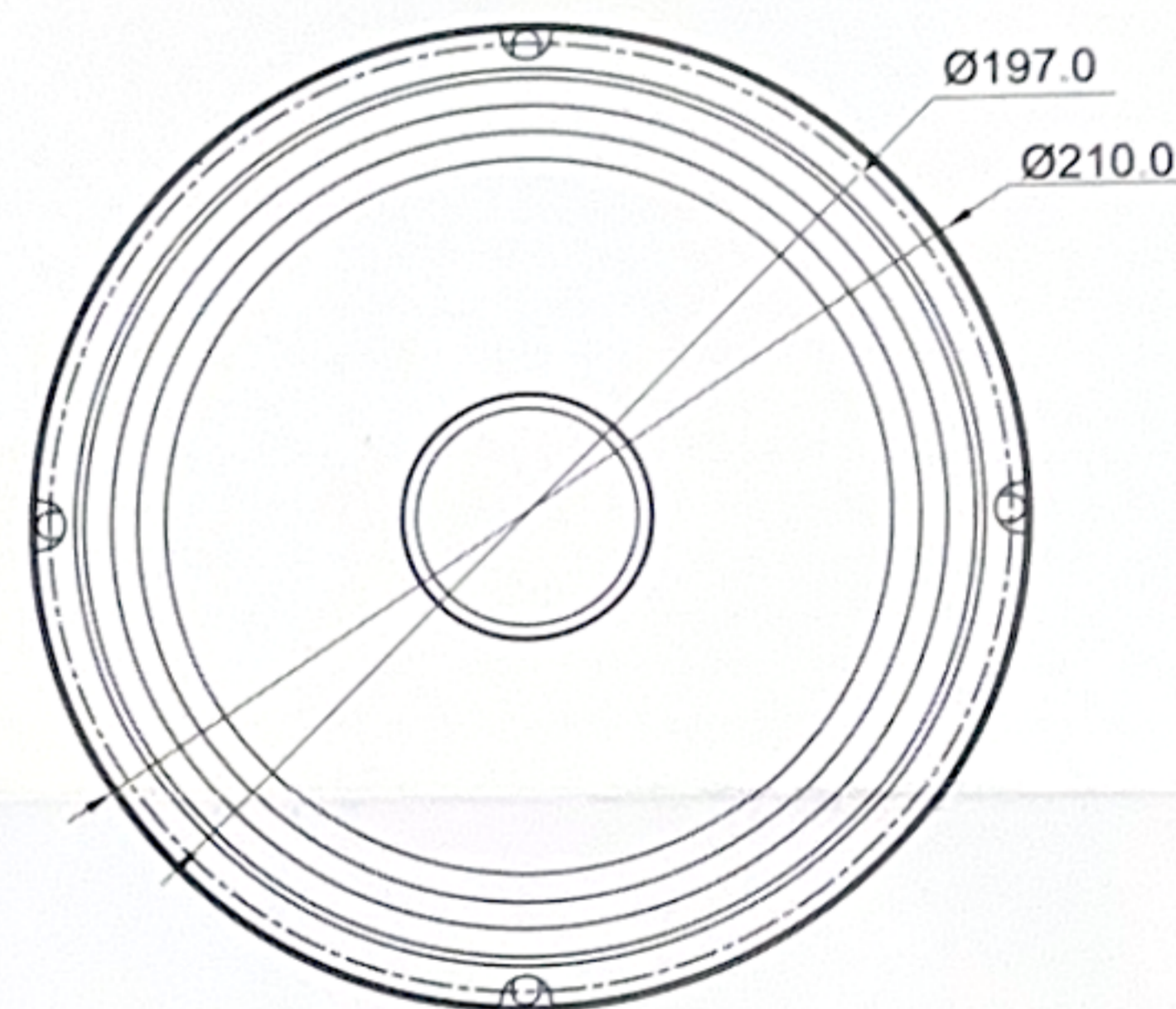


HAWK-8

Professional Midrange Speaker

HAWK SERIES

Midrange Speaker 8"



GENERAL SPECIFICATIONS

Nominal Diameter	8"
Frame Material	Stamp Steel Basket
Power Handling	600 Watts Max
Magnet	High Grade Y35 Ferrite Magnet
Voice Coil	1.5" CCAW, High Temp Voice Coil
Impedance	4 Ohms
Sensitivity	97 dB/m/w
Response Range	100 Hz to 8000 Hz

THIELE-SMALL PARAMETERS

Equivalent Volume	Vas	20.32 L
Free Air Resonance	Fs	78 Hz
Mechanical Factor	Qms	4.91
Electrical Factor	Qes	0.53
Total Factor	Qts	0.45
Cone Area	Sd	211.24 cm ²
Mechanical Mass	Mms	12.99 g
Bl Factor	BL	6.68 Tm
Dc Resistance	Re	3.20 Ohms
Mechanical Mass Without Air	Mmd	15.00 g
Mechanical Compliance	Cms	320.70 mm/N

MOUNTING INFO

Overall Diameter	(210.0 mm / 8.2 inch)
Front Mount Baffle Cutout	(183.0 mm / 7.2 inch)
Mounting Depth	(87.0 mm / 3.4 inch)
Overall Depth	(95.0mm / 3.7 inch)

