

GODFATHER-HO-2V

Professional Compression Driver

Godfather Series

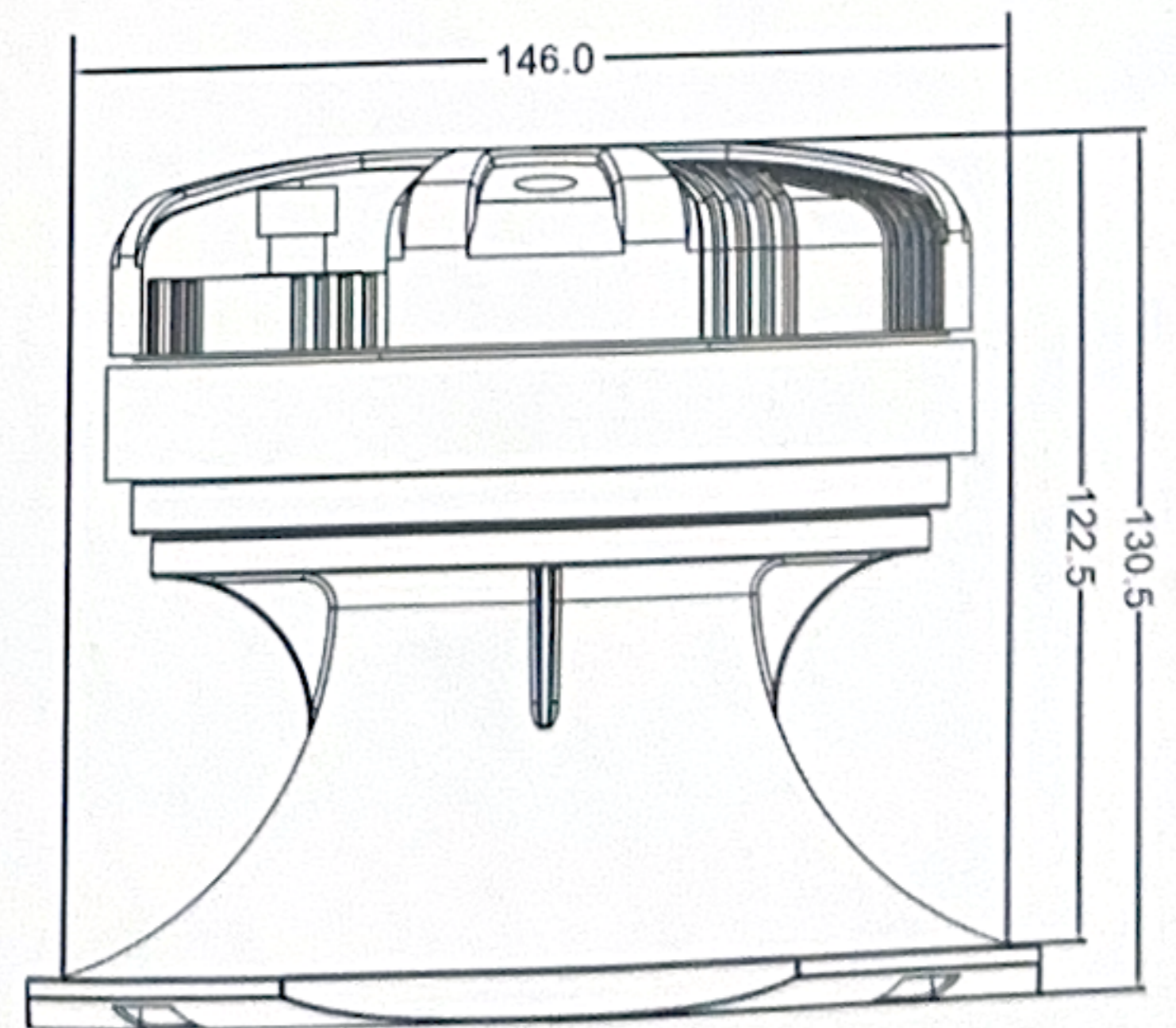
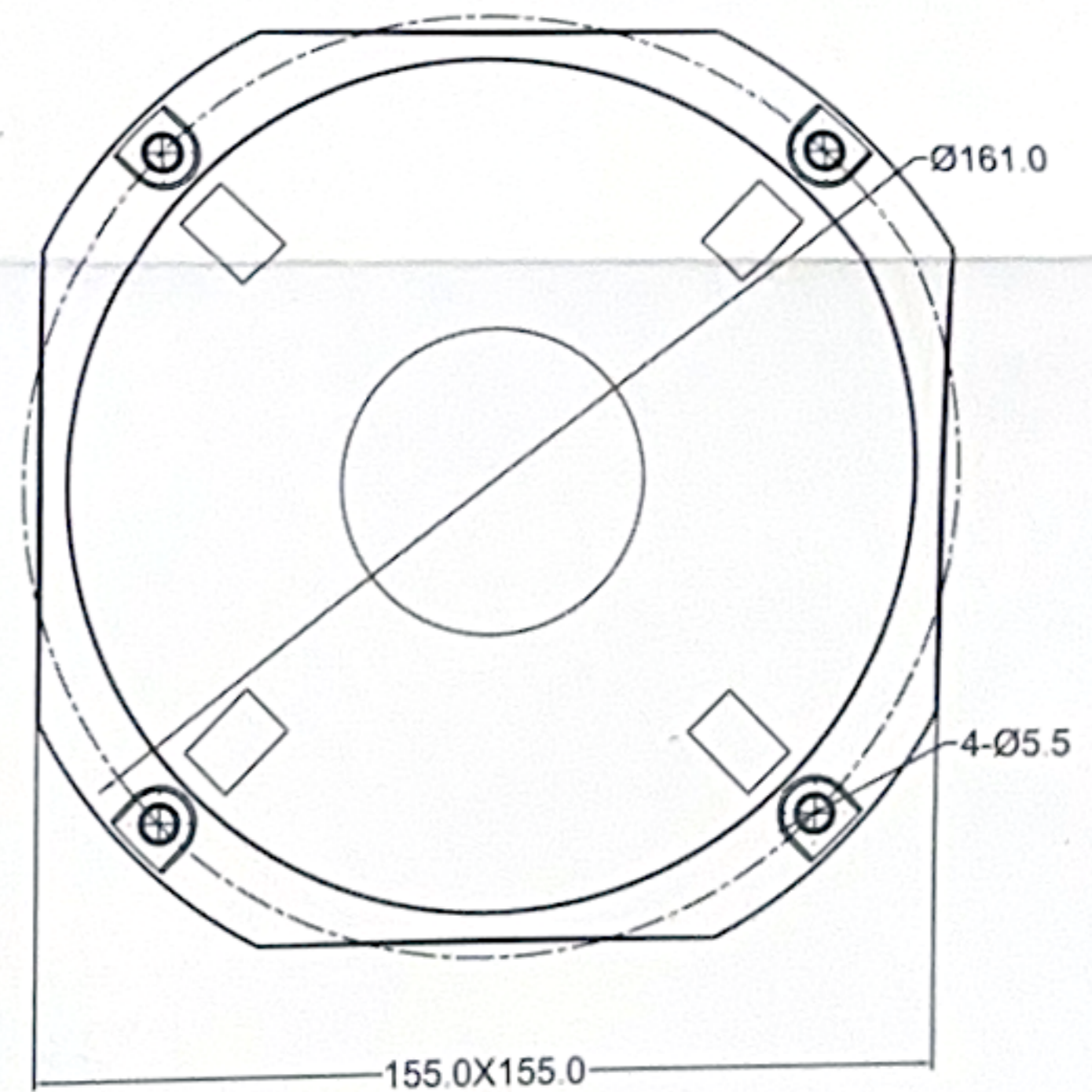
Godfather Series Driver Kit 2"

GENERAL SPECIFICATIONS

Exit Throat Diameter	2" (50mm)
Nominal Impedance	8 Ohms
Rated Power Handling	100 Watts
Program Power	450 Watts
Sensitivity 2.83 V at 1m	108 dB
Voice Coil Diameter	2" (51 mm)
Voice Coil Wire	CCAW
Voice Coil Former Material	Aluminum
Diaphragm Material	Titanium
Magnet Material	Ceramic

MOUNTING INFO

Overall Diameter	(155.0 mm / 6.10 inch)
Front Mount Baffle Cutout	(146.0 mm / 5.74 inch)
Mounting Depth	(122.5mm / 4.82 inch)
Overall Depth	(130.5mm / 5.14 inch)



SPL vs Freq

