

KEY FEATURES

- 150 Watts Program Power
- 1.25" Voice Coil
- 108 dB Sensitivity
- 4000Hz-20000Hz Frequency Range

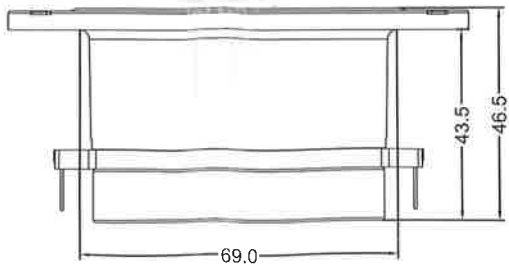
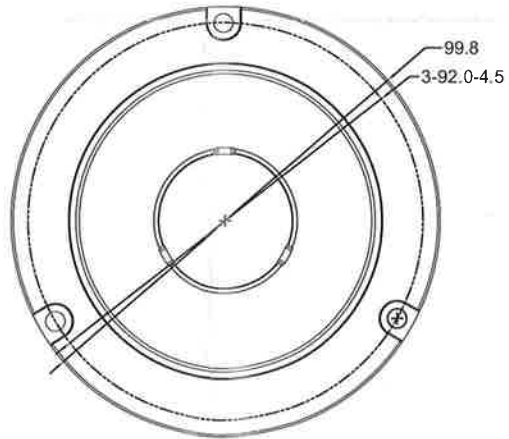
GENERAL SPECIFICATIONS

Compression Tweeter	1.25"
Frame Material	ABS
Power Handling	150 Watts Max
Magnet	High Grade Neo
Voice Coil	1.5" CCAW, High Temp
Impedance	8 Ohms
Sensitivity	108 dB/m/w
Response Range	4000 Hz To 20000 Hz

MOUNTING INFO

External Diameter	(99.8 mm / 4.0 inch)
Bolt Circle Diameter	(92.0 mm / 3.6 inch)
Cutout Diameter	(78.0 mm / 3.1 inch)
Overall Depth	(46.5 mm / 1.8 inch)
Mounting Depth	(43.5 mm / 1.7 inch)

ABT-ND BC
 Compression Super Tweeter



SPL vs Freq

